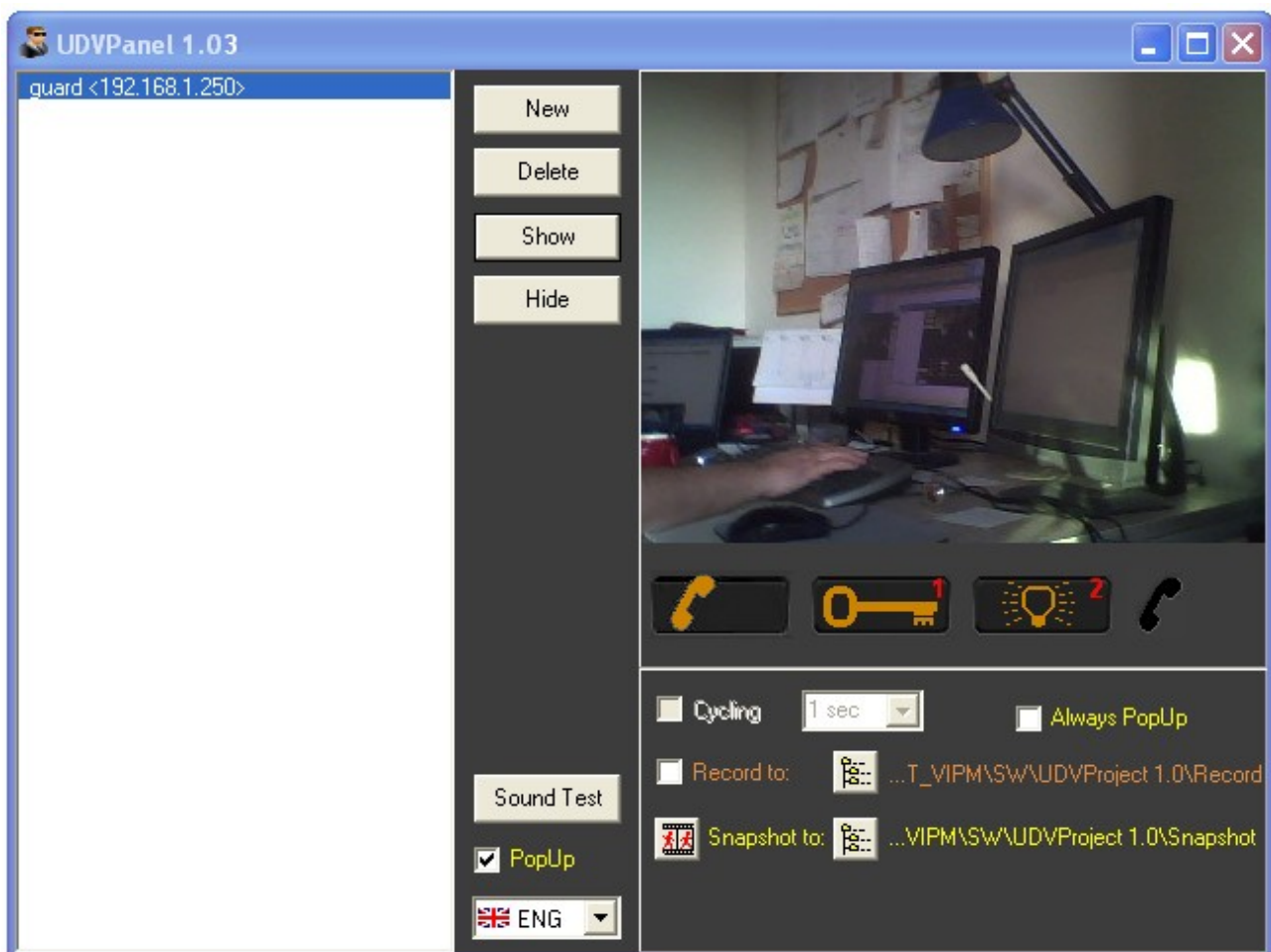


UDVPanel

Control application for DoorPhones

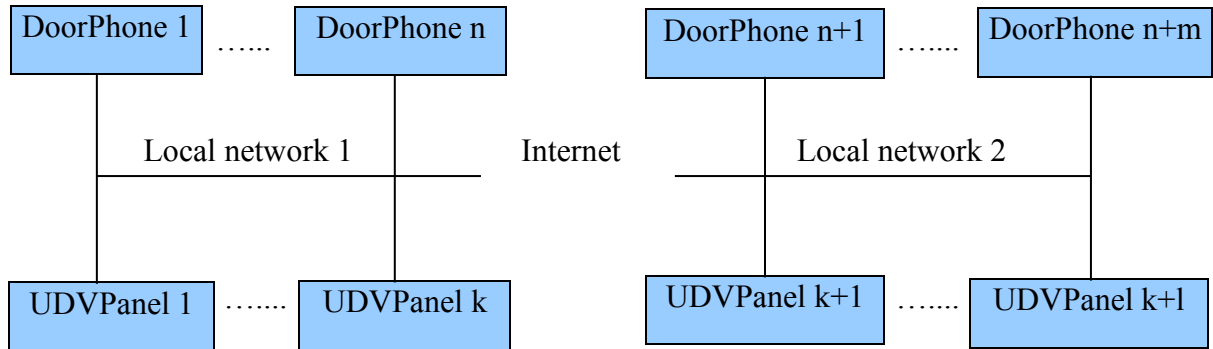


Version: 1.03
Language: English
Date: 2011/02/04

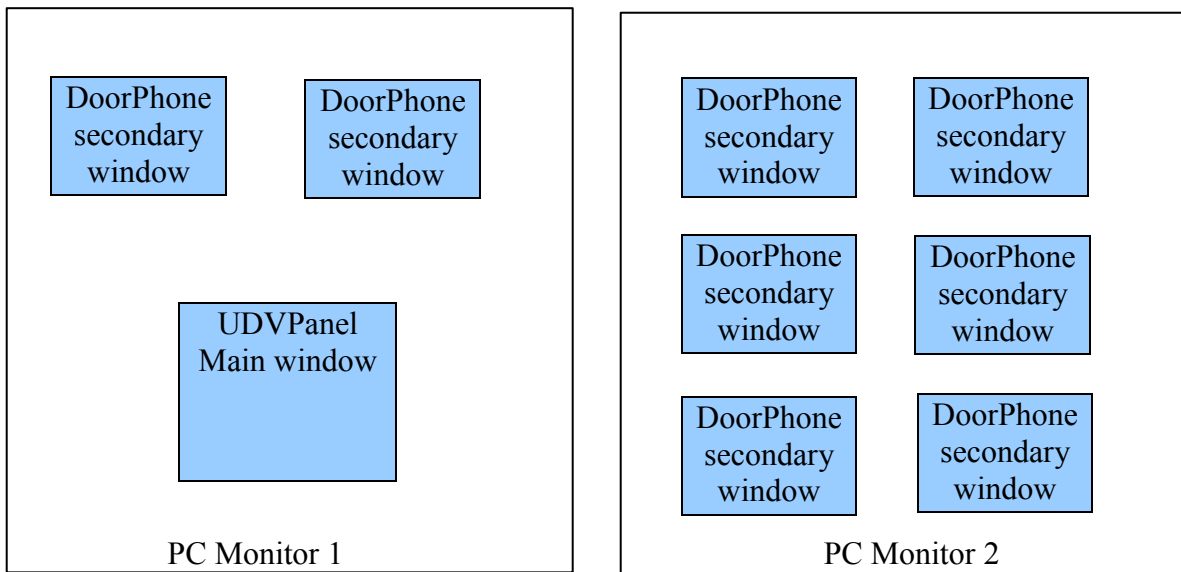
Introduction:

The UDVPANEL can manage unlimited number of DoorPhones via local computer network or via internet.

Unlimited number of the UDVPANELs can run simultaneously on one net.

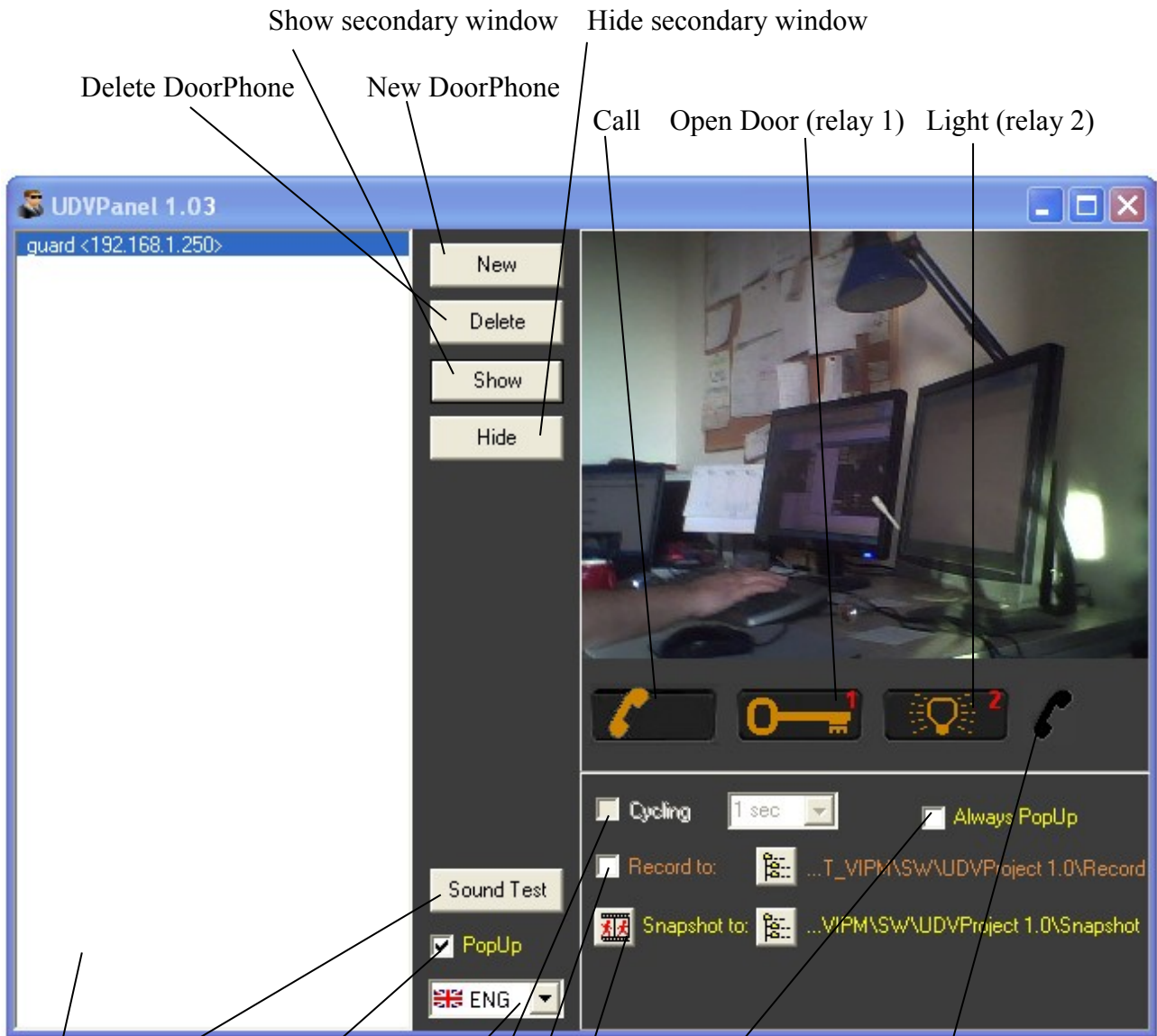


When the UDVPANEL runs on the PC, the user can display the main window with selected DoorPhone and unlimited number of secondary windows with other DoorPhones which are interesting for the user. Others (i.e. at this moment not interesting DoorPhones) stay hidden.



The main window:

(UDVPanel)



Show secondary window Hide secondary window
Delete DoorPhone New DoorPhone
Call Open Door (relay 1) Light (relay 2)

Test of audio card
Fuction PopUp
List box of all DoorPhones Select Language
Function Cycling of all DoorPhones
Function Record incomming call to AVI file
Function save snap-shot to JPEG file
Function Always Pop-Up
Any call indication

The secondary window:

(UDVGuard)

